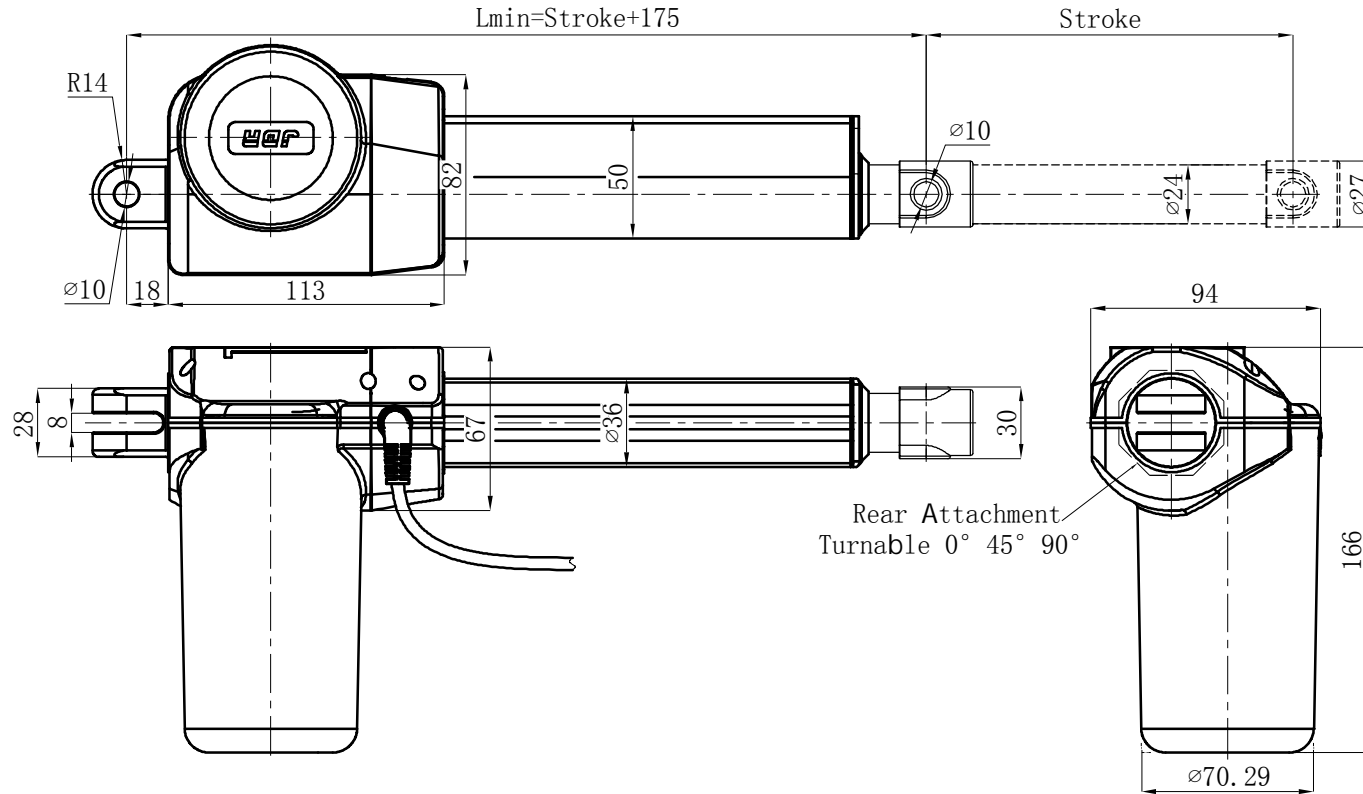


Installation Dimension



Specifications

1	Input Voltage	24V DC/12V DC
2	Load Capacity	6000N
3	Speed	4~30 mm/s
4	Stroke	Customize
5	Type of duty	10%, 2 min. on/18 min. off
6	Limit switches	Inner
7	Operation Temperature	-15°C~45°C
8	Protection Class	IP65

					Name	Installation Drawing			Figure Number	<b>BM-M10</b>	
					Materials				Drawing		
Sign	Amount	Modify File Number	Signature	Date	Weight	Ratio	1:3		Lay	Page	
Designer			Standard								
Mapper											
Auditor											
Craft			Approver								
						<b>Wuxi Borman Transmission Technology Co., LTD</b>					