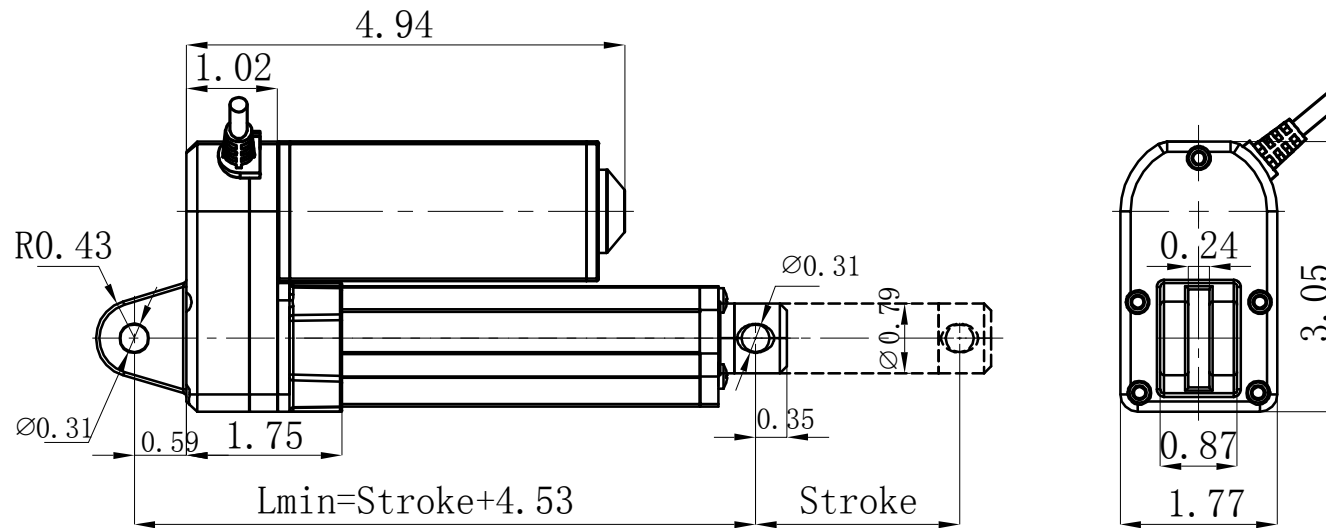


Installation Dimension



Specifications		
1	Input Voltage	48V/36V/24V/12V DC
2	Load Capacity	2500N
3	Speed	7~70 mm/s
4	Stroke	Customize
5	Type of duty	10%, 2 min. on/18 min. off
6	Limit switches	Inner
7	Operation Temperature	-15°C~45°C
8	Protection Class	IP65

						Name	Installation Drawing		Figure Number	BM-S2
						Materials			Drawing	
Sign	Amount	Modify File Number	Signature	Date		Weight	Ratio	1:3	Lay	Page
Designer			Standard							
Mapper										
Auditor										
Craft			Approver							
							Wuxi Borman Transmission Technology Co., LTD			