

Model: BM-M10



Industrial Motion

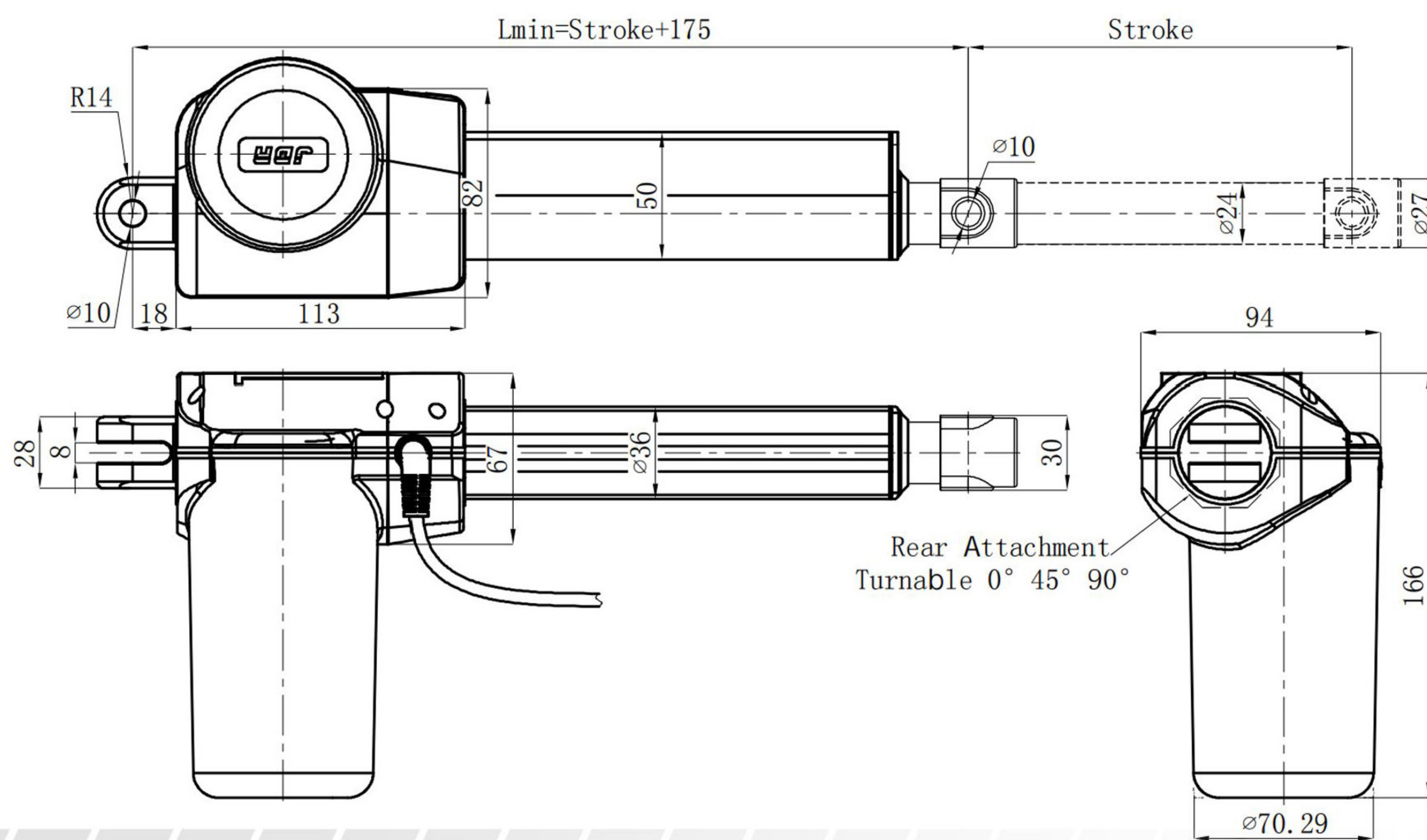
BM-M10 linear actuator is a mature choice for medical device applications. It's quite difficult to determine which type of actuator is best for medical equipment. But, you can easily find out that BM-M10 can meet your project equipment. The linear actuator has been certified for use in applications requiring medical compliance. The BM-M10 medical linear actuator gained immense popularity for its precision and flexibility. Most of advanced medical systems or machinery contains BM-M10 actuators inside that help improve patient care facilities, enhance the work efficiency of the medical field, alongside reduces the stress level of medical surgeon across the globe. For improved control and accuracy of motion, the BM-M10 can be customized depending on your application requirements.

General Features

Input Voltage	24V/12V DC
Load Capacity	6000N
Speed	4~30mm/s
Stroke	Customize
Type of Duty	10%, 2min.on / 18min. off
Limit Switches	Inner
Operation Temperature	-15°C~45°C
Protection Class	IP65
Color	Black or Gray
Certificate	IEC,CE,ROHS,SAA,FCC,CCCF

1

Installation Dimensions



2

Load And Speed

CODE	Load (N)		Self Locking Force (N)	Typical Current (A)		Typical Speed (mm/s)	
	Push	Pull		No Load	With Load	No Load	With Load
				12V/24V/48V DC	12V/24V/48V DC	12V/24V/48V DC	12V/24V/48V DC

Motor Speed							
A	6000	6000	6000			5	3.5
B	5000	5000	5000			6	4.5
C	4000	4000	4000			10	5
D	2000	2000	2000			12	9
E	1500	1500	1500			28	14
F	1000	1000	1000			16	7

3